



UNIKART CLASSIC MOTORIZED

Aquatic lift for seniors, PRM, pregnant women...

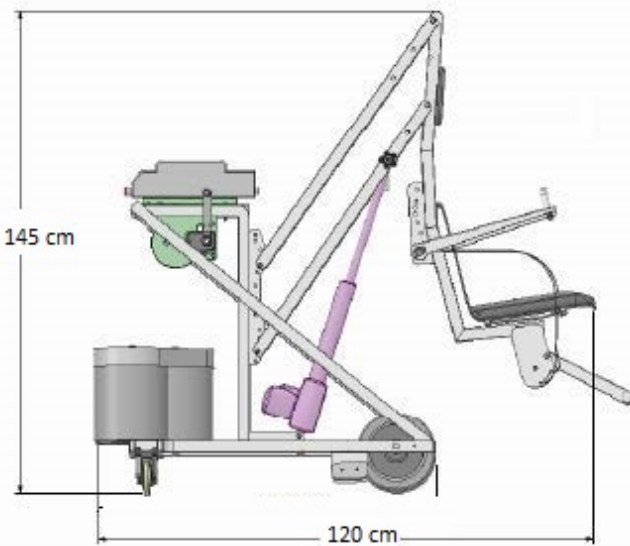
EXPERT OPINION

« The UNIKART CLASSIC MOTORIZED is a mobile solution for launching PRMs into the water. It is motorised, which allows the person to be brought to the water's edge without effort. »

TECHNICAL INFORMATIONS

Max lifting load	Up to 136 kg
Weight with counterweight	260 kg
Power supply	24 V battery
Dimensions (WxDxH)	65 x 120 x 145 cm
Trolley/ Seat	Painted stainless steel/ Polypropylene
System	Pantograph (motorized actuator)
The lowest seat position	65 cm
Référence on battery	xunimprn000
Référence on mains	xunimprn000s

STRONG POINTS



台灣區總代理：
冠陽欣業股份有限公司
台中市龍井區新庄街一段96巷68號
電話：(04) 2633-3666
LINE：@guenpool



HEXAGONE

MANUFACTURE

35 years of manufacturing experience